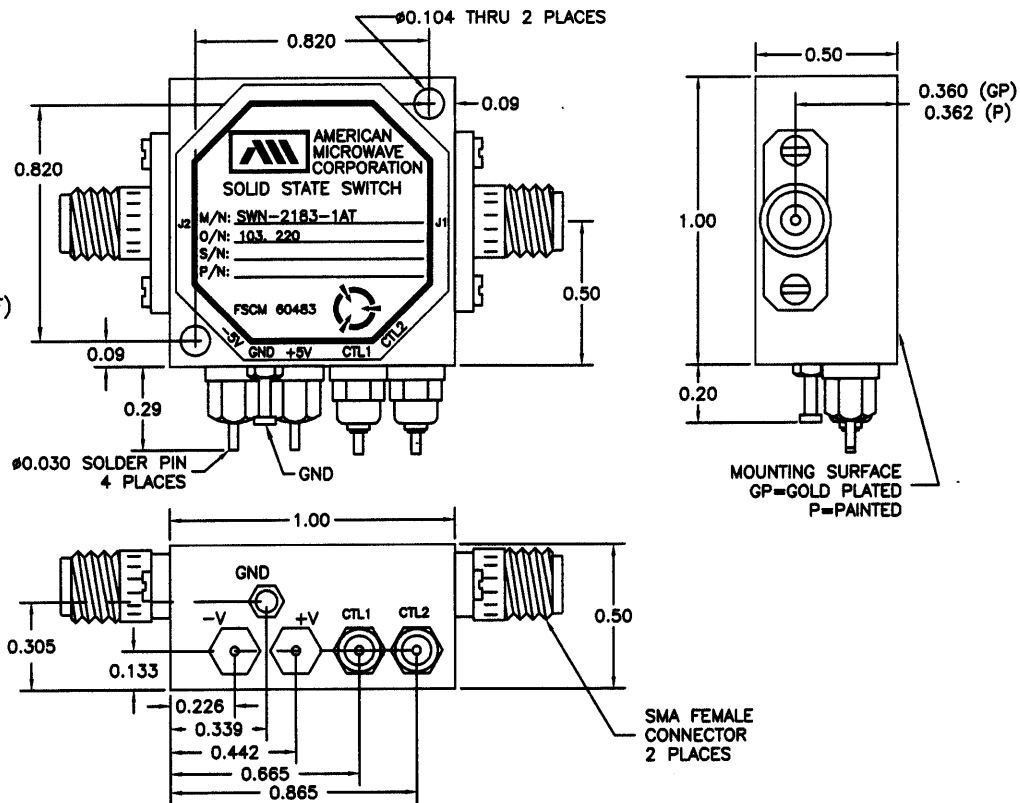


REVISIONS				
ZONE	REV.	DESCRIPTION	DATE	APPROVED
		- ORIGINAL RELEASE, JOB#108170E-2	9/28/04	FSC

DESCRIPTION:

AMC MODEL SWN-2183-1AT OPTION 103, 220 IS AN ABSORPTIVE BROAD BAND SPST SWITCH MODULE WITH INTEGRAL DRIVER AND DIFFERENTIAL LINE RECIEVER INTERFACE CAPABILITY FOR APPLICATIONS WHERE CONTROL SIGNALS ARE CARRIED BY LONG AND NOISY TRANSMISSION LINES.

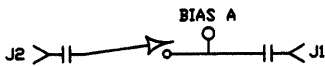
MECHANICAL OUTLINE



SPECIFICATIONS:

- FREQUENCY: 8.4 GHz TO 10.2 GHz
- INSERTION LOSS: 3.0 dB MAXIMUM
- VIDEO TRANSIENTS: 50 mV P-P @ 20 MHz BW
- RF POWER: +10 dBm CW MAXIMUM
- VSWR: 2.0:1
- ISOLATION: 80 dB MINIMUM
- SPEED: RISE TIME: 10 nSEC MAXIMUM (10% TO 90% RF)
FALL TIME: 10 nSEC MAXIMUM (90% TO 10 % RF)
DELAY ON: 50 nSEC MAXIMUM (50% TTL TO 90% RF)
DELAY OFF: 50 nSEC MAXIMUM (50% TTL TO 10 % RF)
- DC POWER SUPPLY: +5VDC @ 90 mA MAXIMUM
-12VDC @ 75 mA MAXIMUM
- CONTROL: DIFFERENTIAL LINE RECIEVER, PAIRS (RI+, RI-), COMPATIBLE TO ST506, ST412, ESPI, AND RS-422 LOGIC FAMILIES (100 OHM INPUT IMPEDENCE).
- CONNECTORS: RF INPUT/OUTPUT: SMA FEMALE
POWER: SOLDER PIN
CONTROL: SOLDER PIN
- SIZE: 1.00" x 1.00" x 0.50"

BLOCK DIAGRAM



ENVIRONMENTAL RATINGS

- TEMPERATURE: -0°C TO +50°C (OPERATING)
-65°C TO +125°C (STORAGE)
- HUMIDITY: MIL-STD-202F, METHOD 103B COND. B
- SHOCK: MIL-STD-202F, METHOD 213B COND. B
- VIBRATION: MIL-STD-202F, METHOD 204D COND. B
- ALTITUDE: MIL-STD-202F, METHOD 105C COND. B
- TEMPERATURE CYCLE: MIL-STD-202F, METHOD 107D COND. A

ALL DIMENSIONS ARE IN INCHES
TOLERANCES:
X.XX ±0.020
X.XXX ±0.010

NOTE: SPECIFICATIONS WILL VARY OVER OPERATING TEMPERATURE
NOTE: THE ABOVE SPECIFICATIONS ARE SUBJECT TO CHANGE OR REVISION

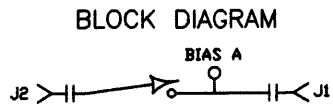
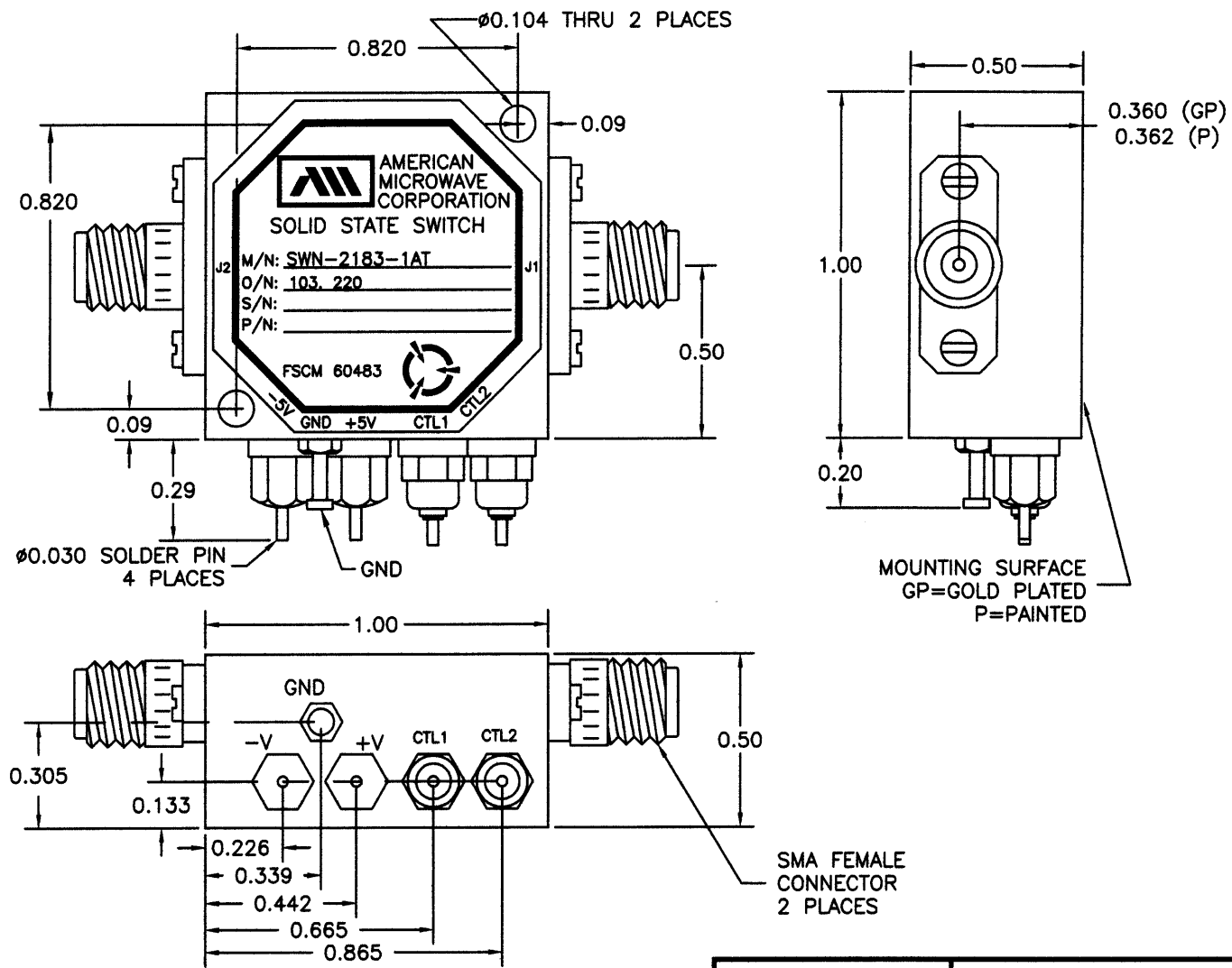
APPROVALS		DATE	AMERICAN MICROWAVE CORPORATION FREDERICK, MARYLAND	
DRAWN	898	9/28/04	TITLE PRODUCT FEATURE SWN-2183-1AT OPTION 103, 220	
CHECKED	LA	10/2/04	8.4 TO 10.2 GHz, SINGLE POLE SINGLE THROW SWITCH	
ISSUED			SIZE FSCM NO. A 60483	DWG NO. 100-7145
SCALE N/S			SHEET 1 of 3	

REVISIONS				
ZONE	REV.	DESCRIPTION	DATE	APPROVED
		- ORIGINAL RELEASE, JOB#108170E-2	9/28/08	RL

DESCRIPTION:

AMC MODEL SWN-2183-1AT OPTION 103, 220 IS AN ABSORPTIVE BROAD BAND SPST SWITCH MODULE WITH INTEGRAL DRIVER AND DIFFERENTIAL LINE RECEIVER INTERFACE CAPABILITY FOR APPLICATIONS WHERE CONTROL SIGNALS ARE CARRIED BY LONG AND NOISY TRANSMISSION LINES.

MECHANICAL OUTLINE



ALL DIMENSIONS ARE IN INCHES
 TOLERANCES:
 X.XX ±0.020
 X.XXX ±0.010

APPROVALS		DATE	AMERICAN MICROWAVE CORPORATION FREDERICK, MARYLAND	
DRAWN	898	9/28/08	TITLE OUTLINE DRAWING SWN-2183-1AT OPTION 103, 220	
CHECKED	CA	9/28/08	8.4 TO 10.2 GHz, SINGLE POLE SINGLE THROW SWITCH	
ISSUED			SIZE	FSCM NO.
			A	60483
			DWG NO.	100-7145
			SCALE	N/S
			SHEET	2 of 3